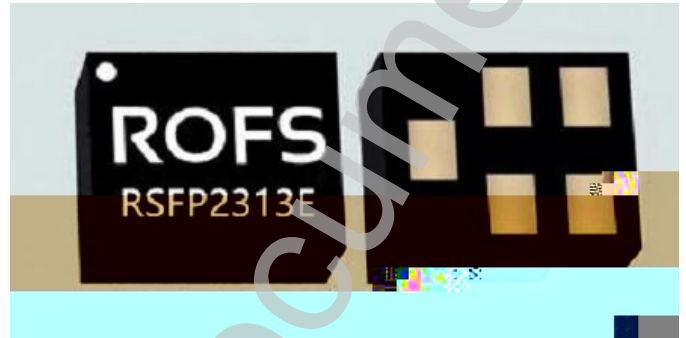
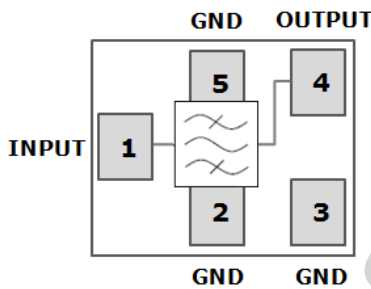


### Description

The RSFP2313E is a surface-mountable, high-performance, low-loss, and low-noise LTE Band 40 filter. It is designed to provide excellent signal-to-noise ratio (SNR) and high rejection of out-of-band signals. The filter is available in a standard 5-pin package, which is compatible with most surface-mount technology (SMT) processes. The filter's performance is characterized by its high insertion loss, low return loss, and excellent out-of-band rejection. The filter is designed to operate in the 2300~2400MHz frequency range, which is used for LTE Band 40. The filter is available in two versions: a standard version and a high-performance version. The standard version is designed for general use, while the high-performance version is designed for applications that require high SNR and high rejection of out-of-band signals. The filter is designed to be used in a variety of applications, including mobile phones, tablets, and other wireless devices. The filter is designed to be used in a variety of environments, including indoor and outdoor environments. The filter is designed to be used in a variety of climates, including hot and cold climates. The filter is designed to be used in a variety of applications, including mobile phones, tablets, and other wireless devices.



### Functional Block Diagram



### Features

- High performance, low loss, and low noise
- High SNR and high rejection of out-of-band signals
- Standard 5-pin package, compatible with most SMT processes
- Operating frequency range: 2300~2400MHz
- Storage temperature range: -40 to +150
- High reliability and long life
- RoHS compliant

### Pin Connection

1	C	4
2	F	5
3	L	6
4	D	7

### Environmental

The RSFP2313E is RoHS compliant and does not contain any lead (Pb) or other hazardous substances. It is designed to be used in a variety of environments, including indoor and outdoor environments. The filter is designed to be used in a variety of climates, including hot and cold climates.





Typical Performance at Tc=25° C

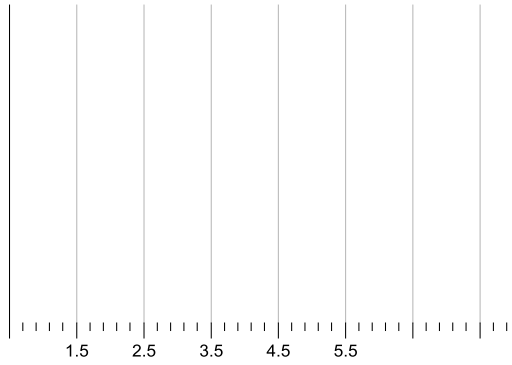


Figure.1 Wideband Insertion Loss

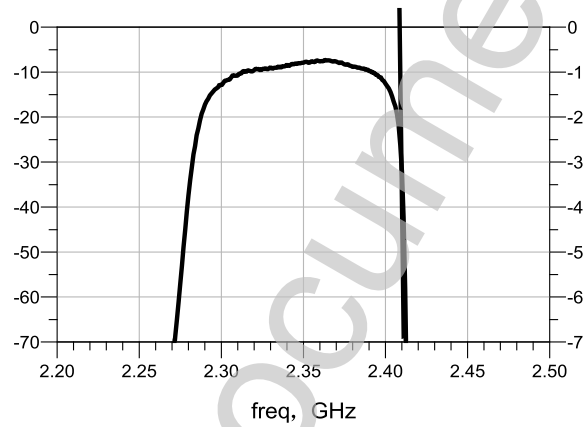


Figure.2 Narrowband Insertion Loss

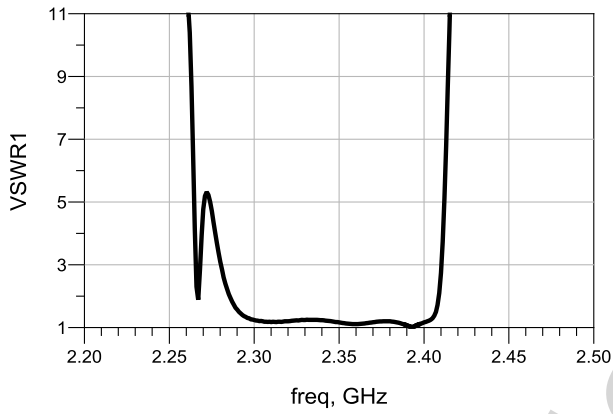


Figure.3 Input VSWR S11

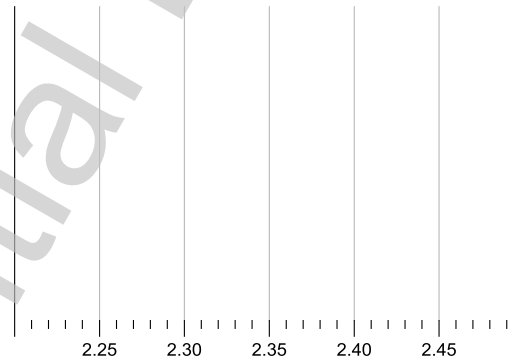


Figure.4 Output VSWR S22

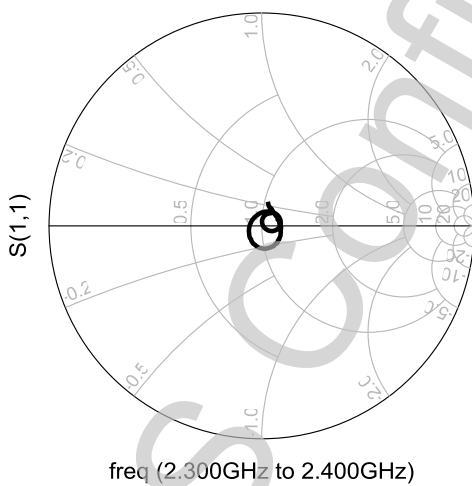


Figure.5 Input Smith Chart S11

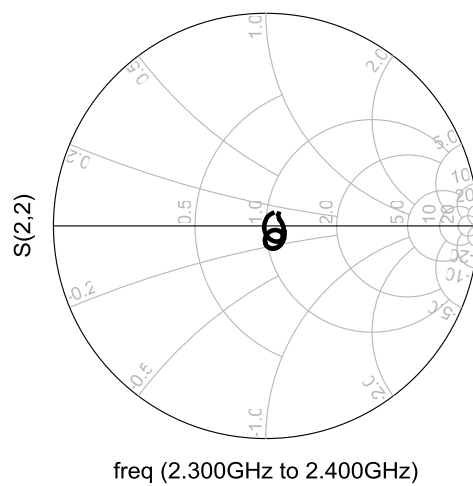
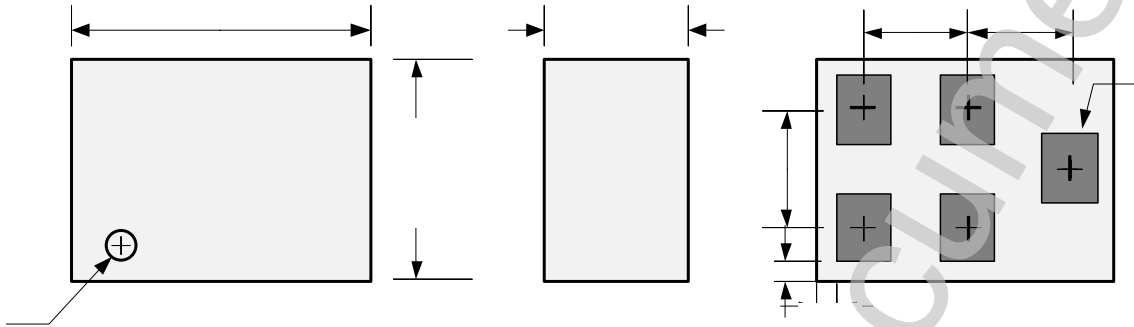
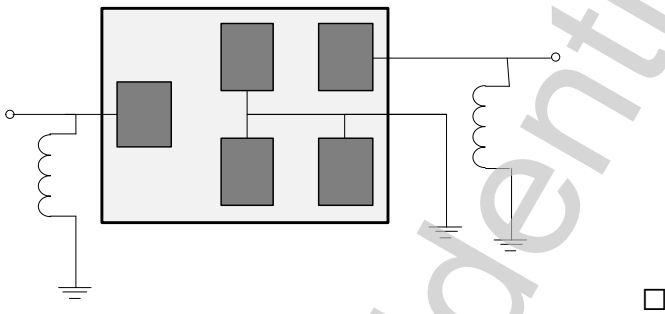


Figure.6 Output Smith Chart S22

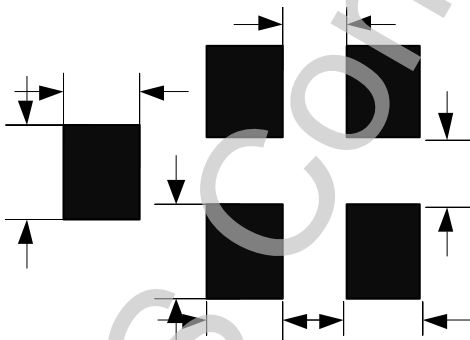
Package Outline Drawing



Test Circuit

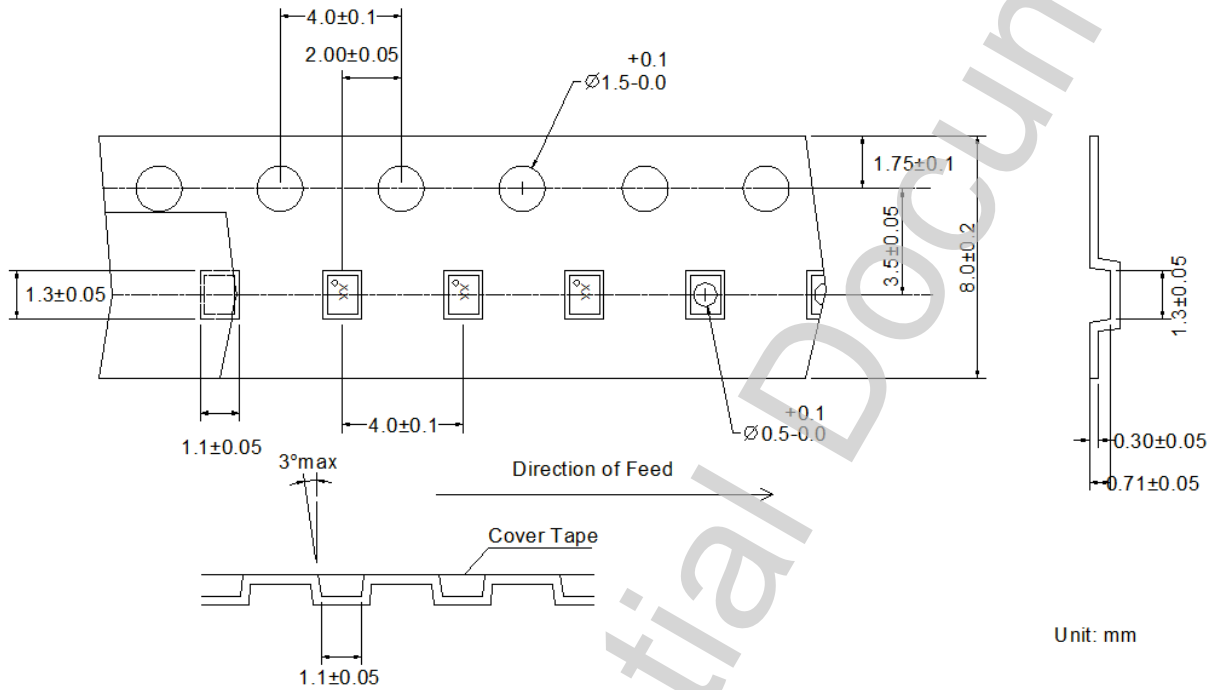


PCB Footprint

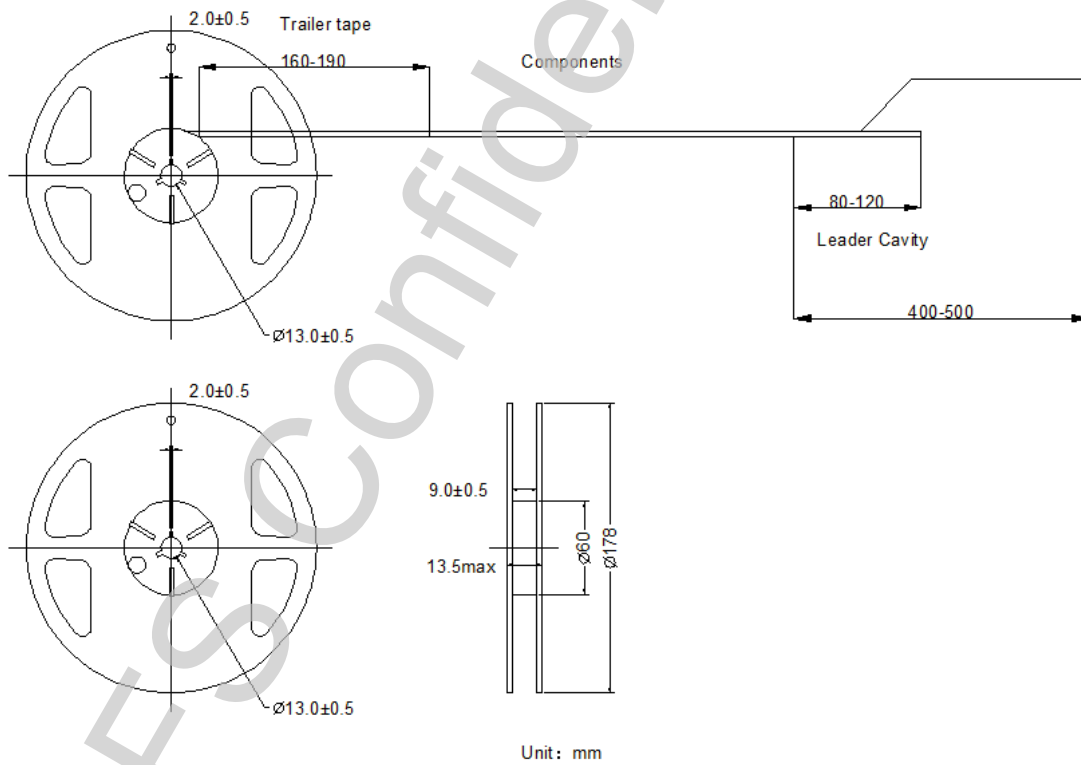


## Packing

### 1. Tape Dimension



### 2. Reel Dimension



2---M, □

